

# Silver Plus Mono

## S610SPM-SERIES BB



### KEY FEATURES

- ☀️ “Made in Europe” Quality
- ☀️ 12-year Product Warranty\*
- ☀️ Positive power tolerance
- ☀️ High resistance to wind and snow loads
- ☀️ Low value of NOCT for optimal performance

### CERTIFICATIONS

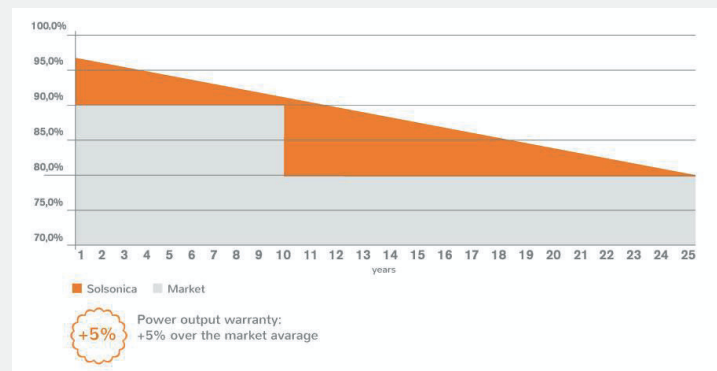
- “PID free test” IEC 82/685/NP
- Salt mist corrosion test IEC 61701
- Ammonia resistance test TUV protocol
- “Made in EU” as result of factory inspection
- IEC 61215 / IEC 61730



APPROVED PRODUCT



### LINEAR PRODUCIBILITY WARRANTY\*



25 years linear producibility warranty:  
3.5% power degradation in the first year, 0.7% per annum over the 24 subsequent.

\* Warranties do not apply if the modules are not installed as described in the PV Modules Use and Maintenance Manual.

# Silver Plus Mono

## S610SPM-SERIES BB



### ELECTRICAL PARAMETERS

STC*	Pmax	Vmp	Imp	Voc	Isc	Eff.
Product Code	(W)	(V)	(A)	(V)	(A)	(%)
S610SPM-250	250	30.3	8.21	37.4	8.78	15.1
S610SPM-255	255	30.6	8.30	37.6	8.87	15.4
S610SPM-260	260	30.8	8.41	37.8	8.96	15.7

\* STC: Irradiation 1000W/m<sup>2</sup>, AM 1.5, Module Temperature 25 ° C

### ELECTRICAL PARAMETERS AT NOCT\*\*

NOCT	Pmax	Vmp	Imp	Voc	Isc
Product Code	(W)	(V)	(A)	(V)	(A)
S610SPM-250	183.3	27.9	6.57	35.2	7.11
S610SPM-255	186.8	28.1	6.64	35.4	7.18
S610SPM-260	190.8	28.4	6.73	35.6	7.25

\*\* NOCT: in Nominal Operating conditions (800W/m<sup>2</sup>, T 20 °C, Wind speed 1 m/s)

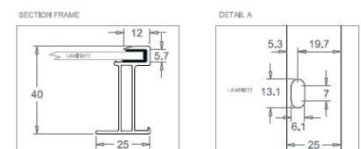
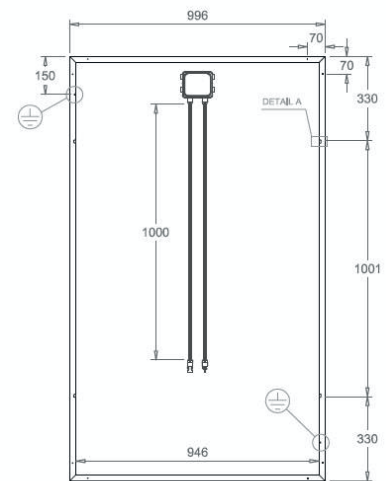
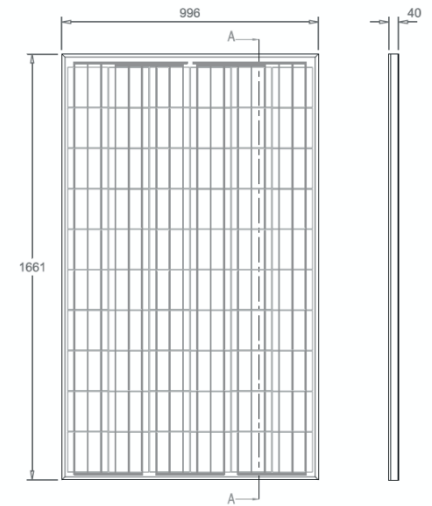
### THERMAL, ELECTRICAL AND MECHANICAL PROPERTIES

Power tolerance (W)	0 / +4
NOCT (°C)	43 ± 2
Isc Thermal Coefficient (%/°C)	0.052
Voc Thermal Coefficient (%/°C)	-0.325
Pmax Thermal Coefficient (%/°C)	-0.443
Maximum system voltage (V)	1000
Reverse Current Limit (A)	15
Maximum front load (Pa)	5400
Maximum back load (Pa)	2400
Hail resistance (diameter, speed)	25 mm, 23 m/s

### DESIGN FEATURES

Cell type	Mono-crystalline silicon / 3 bus bar
Cell size (mm)	Pseudo-square 156 x 156
Module size LxHxW (mm)	1661 x 996 x 40
Frame	Anodized aluminum
Weight (kg)	19
Junction box	Protection Class IP65
By-pass diodes	3
Cable (2x)	1 m / 4 mm <sup>2</sup>
Connectors	MC4 compatible
Glass	Tempered / 3.2 mm

### TECHNICAL DRAWINGS (dimensions in mm)



#### NOTES:

- This technical datasheet complies with requirements of standard EN 503801.
- Solsonica reserves the right to make changes to product specifications.
- Technical drawings are exclusive property of Solsonica, according to the regulations in force.