

## The Experts for Off-Grid Power Supply

# IBC SoloSol 95 CS

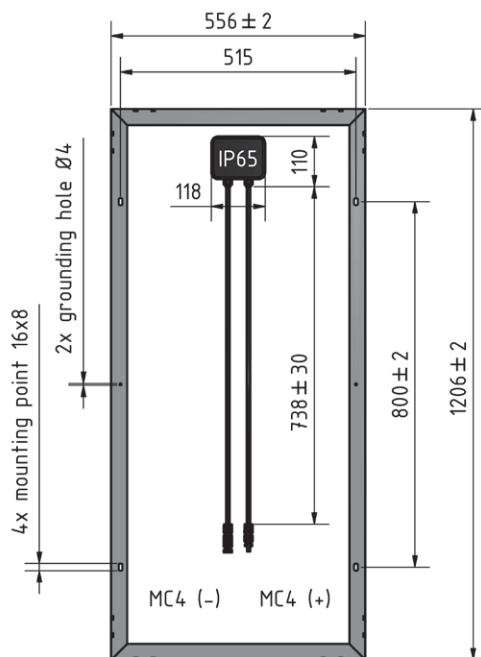
Solar modules made by monocrystalline silicon

The crystalline solar modules from the IBC SoloSol product series are designed specifically for the requirements of off-grid power supply. They are included in our IBC SoloHome Sets and they are ideal for garden shed or pump systems, but also for industrial applications, and monitoring traffic. Continuous quality assurance and process audits during production guarantee a particularly long service life of the modules with a maximum of output, efficiency and reliability.

### Highlights:

- 10-year product warranty\*
- Power warranties\*
  - 12 years (90%)
  - 25 years (80%)
- Positive power tolerance:  $-0/+5$  Wp
- Low-iron solar glass (thickness 3.2 mm) and sturdy hollow-chamber frame
- Tested according IEC 61215 for snow loads up to 5400 Pa (ca. 550 kg/m<sup>2</sup>)
- IEC 61730, application class A for system voltages up to 1000 V, protection class II
- Produced in facilities certified as per ISO 9001, ISO 14001 and OHSAS 18001
- Regular product/process/quality assurance audits in production
- Quality tested by IBC SOLAR in own laboratory with climate chambers and flasher with integrated electroluminescence measurement





## TECHNICAL DATA

IBC SoloSol	95 CS
STC Power Pmax (Wp)	95
STC Nominal Voltage Umpp (V)	17.96
STC Nominal Current Impp (A)	5.29
STC Open circuit voltage Uoc (V)	22.78
STC Short circuit current Isc (A)	5.66
800 W/m <sup>2</sup> NOCT AM 1.5 Power Pmax (Wp)	69.76
800 W/m <sup>2</sup> NOCT AM 1.5 Nominal Voltage Umpp (V)	16.81
800 W/m <sup>2</sup> NOCT AM 1.5 Open Circuit Voltage Uoc (V)	21.35
800 W/m <sup>2</sup> NOCT AM 1.5 Short Circuit Current Isc (A)	4.43
Rel. efficiency reduction @ 200 W/m <sup>2</sup> (%)	3.9
Tempcoeff Isc (%/°C)	+0.027
Tempcoeff Uoc (mV/°C)	-76.8
Tempcoeff Pmpp (%/°C)	-0.469
Module Efficiency (%)	14.2
NOCT (°C)	47
Max. System Voltage (V)	1000
Max. Reverse Current Ir (A)	15
Current value String fuse (A)	10
Fuse protection from parallel strings	4
Height (mm)	35
Weight (kg)	9.0
Article number	2003800003

2014-07-22

Presented by:

\* Product and power warranty in accordance with the version of the full warranty conditions received from your specialized IBC SOLAR partner at the time of installation. This warranty is valid only when the relevant product is installed in accordance with the applicable installation instructions. Electrical values under standard test conditions: 1000 W/m<sup>2</sup>; 25°C, AM 1.5. 800 W/m<sup>2</sup>, NOCT. Specifications according EN 60904-3 (STC). All datas according DIN EN 50380. Subject to modifications that represent progress. Product picture can be differend from the original product.